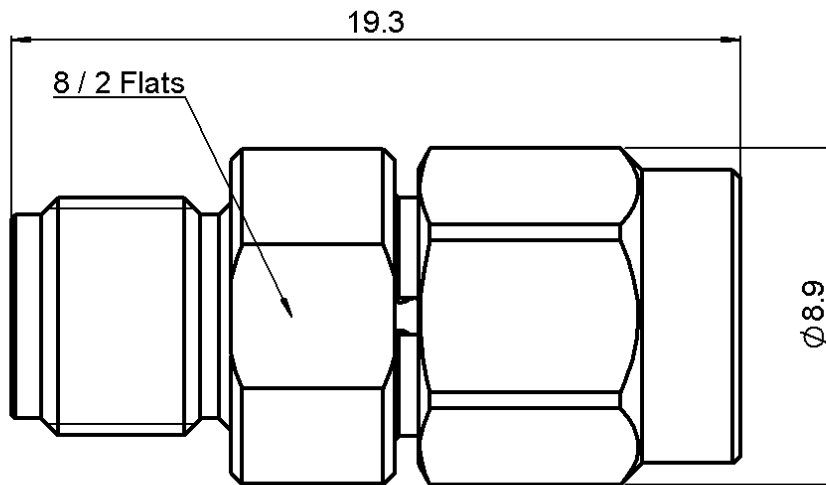
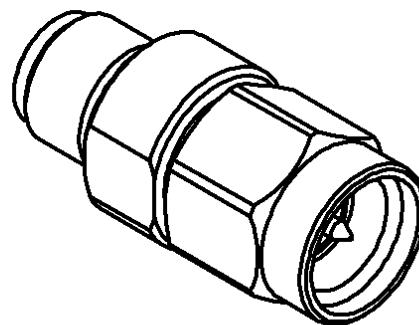


SMA ATTENUATOR
4 DB 8 GHZ 2W

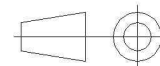
R411.804.119
Series : **ATTENUATOR**



SCALE 1 / 1



All dimensions are in mm.



| COMPONENTS | MATERIALS | PLATING(μm) |
|------------------------------|-------------------------|-------------------------------|
| BODY | STAINLESS STEEL | PASSIVATION |
| MALE CENTER CONTACT | BERYLLIUM COPPER | GOLD 2.5 OVER NICKEL 1 |
| FEMALE CENTER CONTACT | BERYLLIUM COPPER | GOLD 2.5 OVER NICKEL 2 |
| OUTER CONTACT | | |
| INSULATOR | PTFE | |
| GASKET | SILICONE RUBBER | |
| SUBSTRATE | ALUMINA | |
| RESISTOR | THIN FILM | |
| OTHERS PARTS | | |

Issue : 0834 B

In the effort to improve our products, we reserve the right to make changes judged to be necessary.



SMA ATTENUATOR

4 DB 8 GHZ 2W

R411.804.119

Series : ATTENUATOR

ELECTRICAL CHARACTERISTICS

| | | |
|-----------------|--------|-------|
| Frequency (GHz) | DC - 4 | 4 - 8 |
| V.S.W.R (≤) | 1.20 | 1.25 |
| Deviation(±dB) | 0.30 | 0.40 |

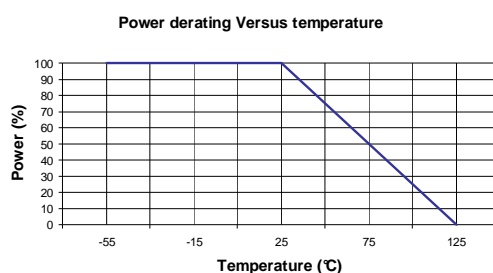
| | | |
|------------------------------|--------|-----------------------|
| Operating Frequency Range | DC - 8 | GHz |
| Impedance | 50 | Ω |
| Nominal Attenuation | 4 | dB |
| Peak power at 25°C (1μs, 1%) | 100 | W |
| Average power at 25°C | 2 | W (Free Air Cooled) |
| | | W (Conduction Cooled) |

MECHANICAL CHARACTERISTICS

| | | | |
|------------|----------|-------------|-------------|
| Connectors | SMA | Male Female | MIL-C 39012 |
| Weight | 4,5810 g | | |

ENVIRONMENTAL CHARACTERISTICS

| | |
|-----------------------------|--------------|
| Operating temperature range | -55 /+125 °C |
| Storage temperature range | -55 /+125 °C |



SPECIFICATION

OTHER CHARACTERISTICS

Issue : 0834 B

In the effort to improve our products, we reserve the right to make changes judged to be necessary.

